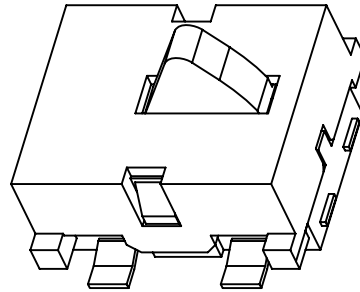
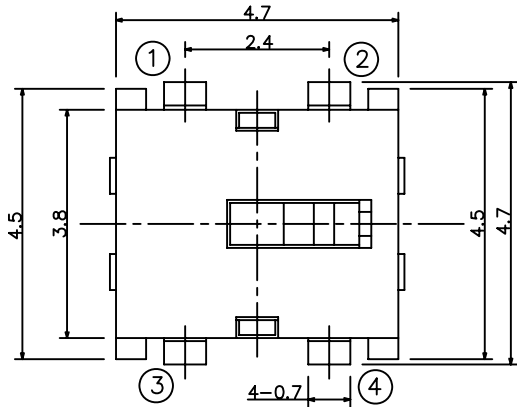
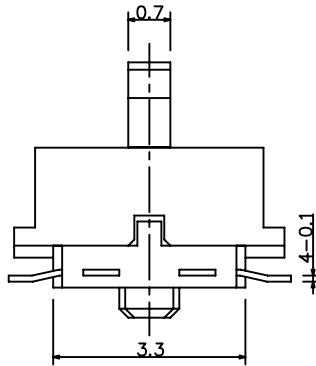
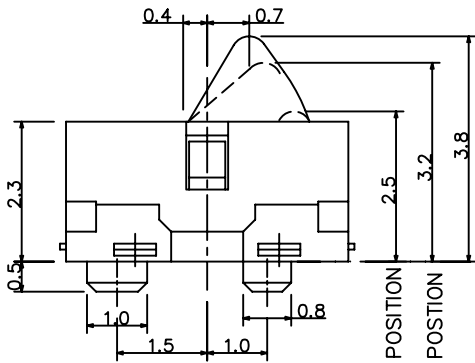
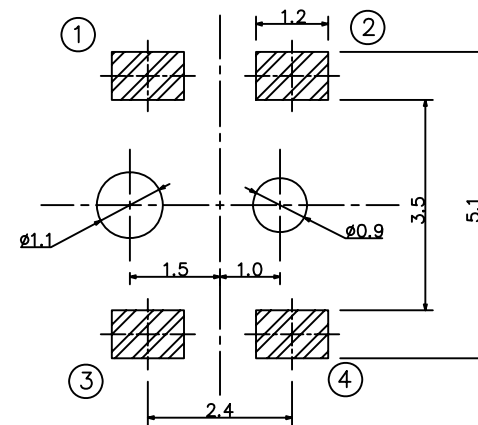


RoHS
Compatible

△				
△				
△				
△				
ZONE	REV	DESCRIPTION	DATE	APPD.

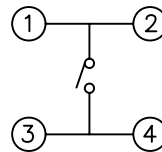


P.C.B Mounting
pattern Dimension



TOTAL TRAVEL POSITION
3.2Min. 3.7Max "ON" POSITION

Circuit Diagram



Specifications

1. Rating : DC 5V, 1mA
2. Contact resistance : 1Ω Max.
3. Insulation resistance : DC250V-50MΩ Min.
4. Withstanding voltage : AC250V-1 minute
5. Operating force : 60gf Max.
6. Operating life : 100,000 cycles

達立科技股份有限公司

Dawning Precision Co., Ltd.

TEL: 886-2-82271388 FAX: 886-2-82272198

DESIGN	Will	SCALE			TOLERANCE UNLESS OTHERWISE STATED(mm)	PART NAME	DETECTOR SWITCH
DRAWING	Will	UNIT	mm		less than 10 — ±0.2	PART NO	DS-B80A
CHECK	Will	SIZE	A4: 210*297		10~30 — ±0.3	DRAWING NO	
APPROVAL	Eric	VERSION	01		30~100 — ±0.5	DATE	2010/02/02
					ANGIE — ±2'		