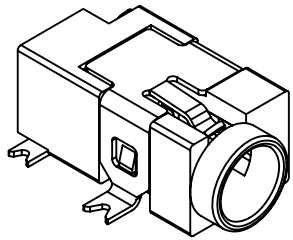
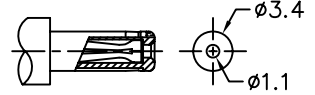
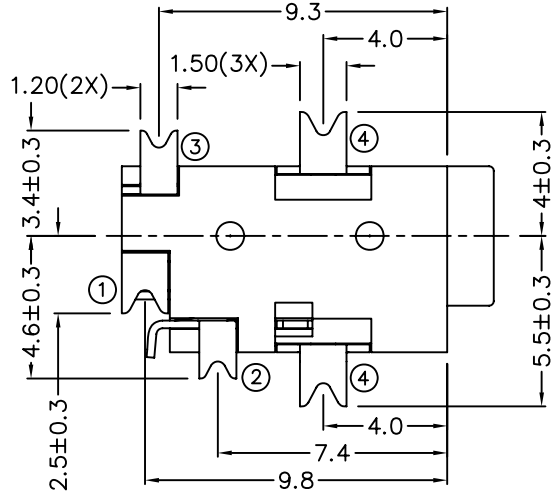
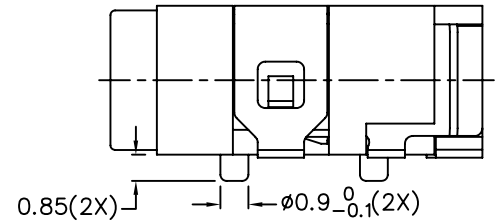
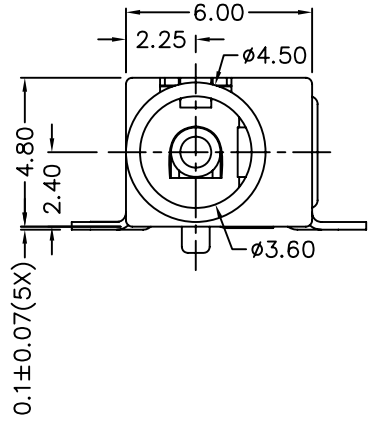
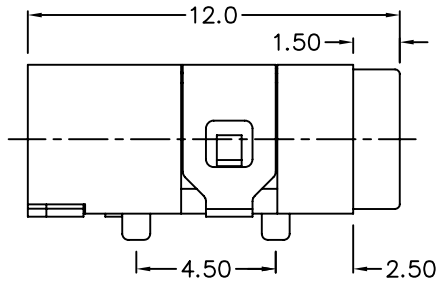


RoHS
Compatible



△				
△				
△				
△				
ZONE	REV	DESCRIPTION	DATE	APPD.

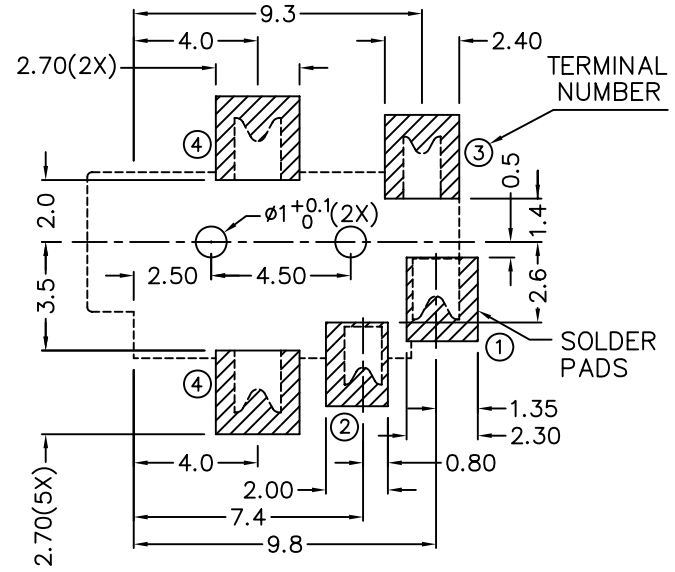


DC MATE PLUG

* MATERIAL

- TERMINAL 1 : BRASS
- TERMINAL 2 : COPPER ALLOY
- TERMINAL 3 : BRASS
- TERMINAL 4 : COPPER ALLOY
- HOUSING : PA6T

MODEL NO.	DC-053D
SCHMATIC	
CENTER PIN	∅1mm



RECOMMENDED SOLDER PAD LAYOUT

達立科技股份有限公司
Dawning Precision Co., Ltd.
TEL: 886-2-82271388 FAX: 886-2-82272198

DESIGN	Will	SCALE		
DRAWING	Will	UNIT	mm	
CHECK	Will	SIZE	A4: 210*297	
APPROVAL	Eric	VERSION	01	

TOLERANCE UNLESS OTHERWISE STATED(mm)	PART NAME	DC POWER SOCKET
less than 10 — ±0.2	PART NO	DC-053D
10~30 — ±0.3	DRAWING NO	
30~100 — ±0.5	DATE	2009/06/08
ANGIE — ±2°		