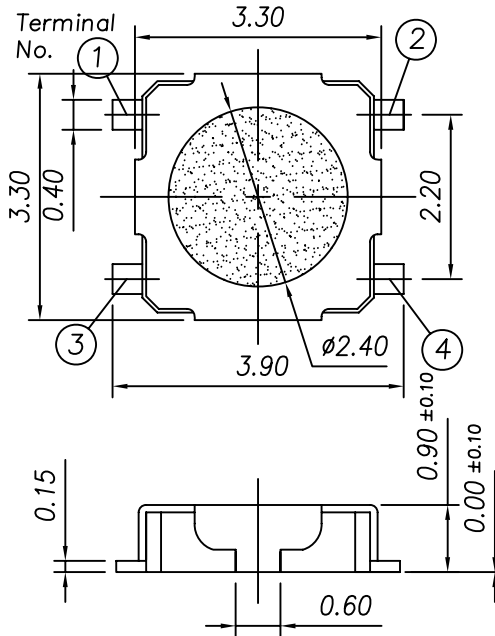
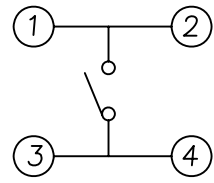


RoHS
Compatible

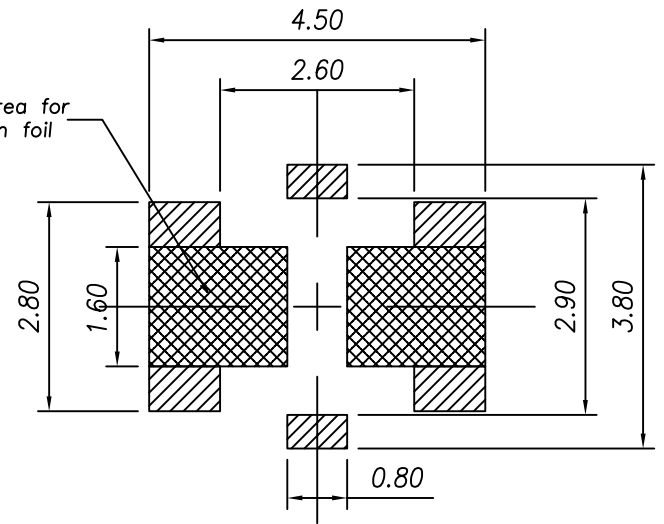
△				
△				
△				
△	02	修改上蓋扣合處	2009/08/05	Will.
ZONE	REV	DESCRIPTION	DATE	APPD.



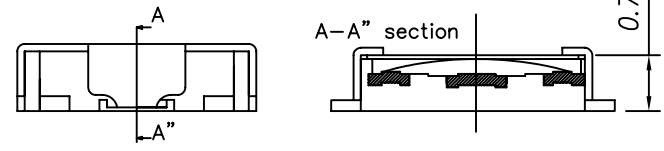
Circuit diagram



P.C.B Mounting pattern Dimension



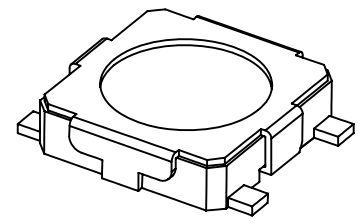
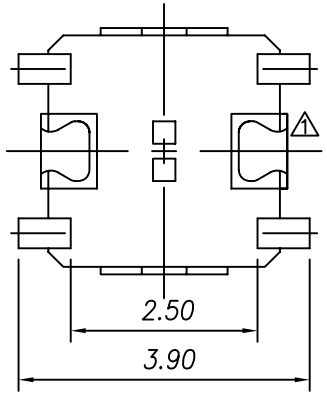
Prohibited area for circuit pattern foil



Order Information:
TS-307PF--S066
Force

- Specification**
- Rating : DC12V 50mA Max.
 - Contact resistance : 100mΩ Max.
 - Travel : 0.15±0.05mm
 -

Model	Operating Force	Life Cycles
TS-307PF-1	130±50gf	100,000 cycle
TS-307PF-2	160±50gf	100,000 cycle
TS-307PF-3	250±50gf	100,000 cycle



No.	Part Name	Material	Q'ty	Treatment
5	Dust Cover	Polyimide	1	Yellow
4	Cover	SUS	1	Ni Plated
3	Contact	SUS	2	Ag Clad
2	Terminal	Brass	4	Ag Plated
1	Case	LCP	1	White

達立科技股份有限公司
Dawning Precision Co., Ltd.
TEL: 886-2-82271388 FAX: 886-2-82272198

DESIGN	Will	SCALE		
DRAWING	Will	UNIT	mm	
CHECK	Will	SIZE	A4: 210*297	
APPROVAL	Eric	VERSION	02	

TOLERANCE UNLESS OTHERWISE STATED(mm)	PART NAME	TACT SWITCH
less than 10 — ±0.2	PART NO	TS-307PF SERIES
10~30 — ±0.3	DRAWING NO	
30~100 — ±0.5	DATE	2012/10/05
ANGIE — ±2'		