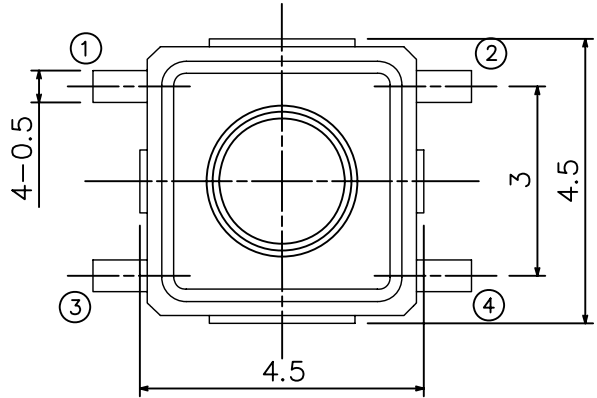
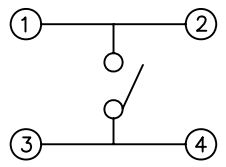


RoHS
Compatible

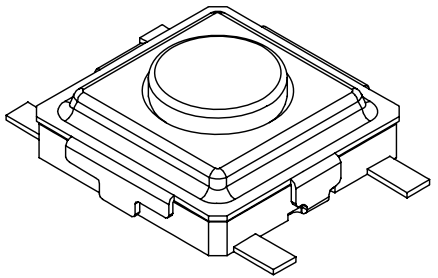
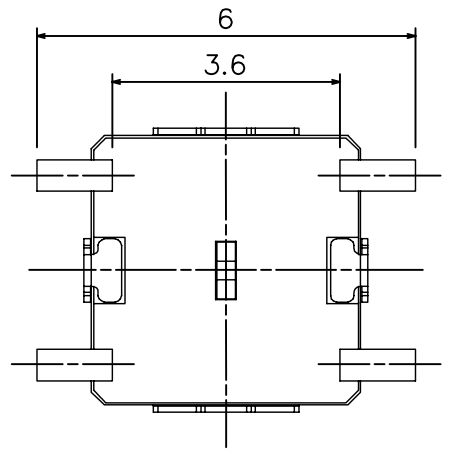
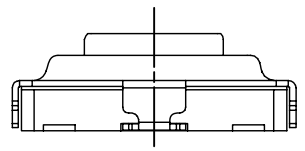
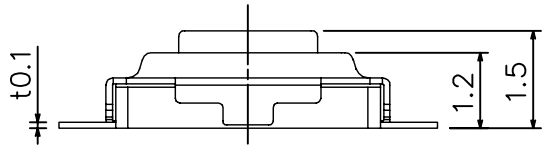
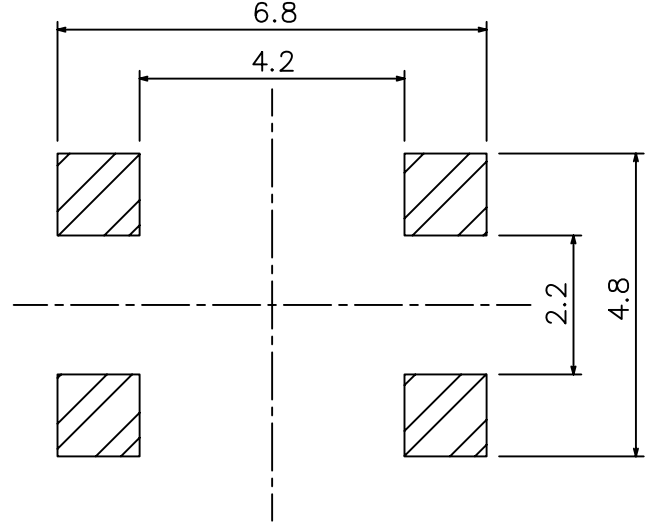
△				
△				
△				
△				
ZONE	REV	DESCRIPTION	DATE	APPD.



Circuit Diagram



P.C.B Mounting pattern Dimension



Specification

- Rating : DC 12V, 50mA Max.
- Circuit : 1C - 1P
- Travel : 0.2±0.1mm
- Operating force : 160±50gf

Model	Operating Force	Life Cycles
TS-A47-2	160±50gf	100,000 Cycle
TS-A47-3	250±50gf	100,000 Cycle

達立科技股份有限公司
Dawning Precision Co., Ltd.
TEL: 886-2-82271388 FAX: 886-2-82272198

DESIGN	Will	SCALE		
DRAWING	Will	UNIT	mm	
CHECK	Will	SIZE	A4: 210*297	
APPROVAL	Eric	VERSION	01	

TOLERANCE UNLESS OTHERWISE STATED(mm)	PART NAME	TACT SWITCH
less than 10 — ±0.2	PART NO	TS-A47 SERIES
10~30 — ±0.3	DRAWING NO	
30~100 — ±0.5	DATE	2010/03/19
ANGIE — ±2'		