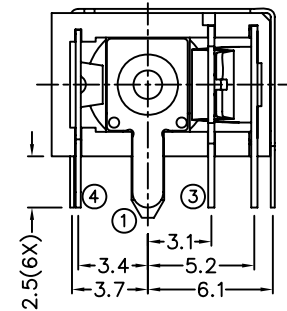
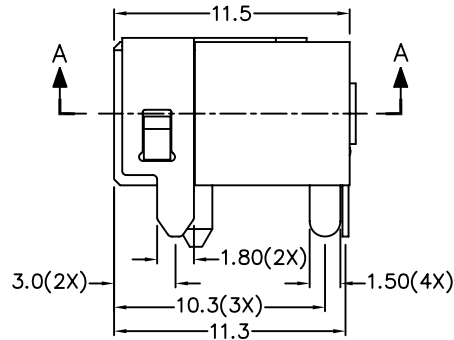
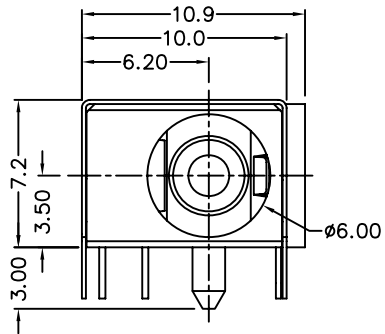
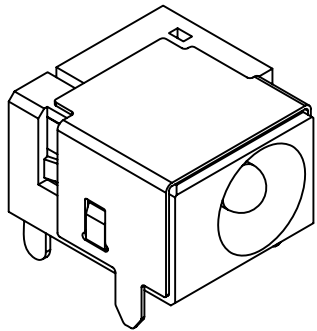


RoHS
Compatible

發行
2009.08.05
達立

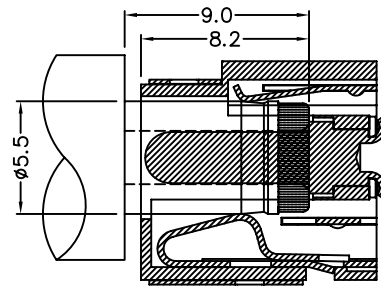
△				
△				
△				
△				
ZONE	REV	DESCRIPTION	DATE	APPD.



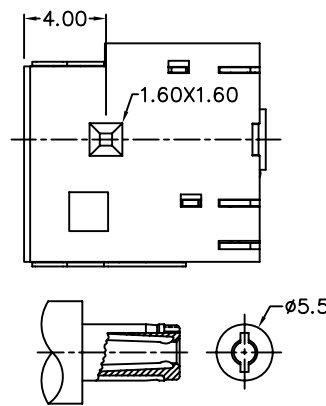
*** MATERIAL**

- CENTRE PIN : COPPER
- TERMINAL 1 : BRASS
- TERMINAL 2 : COPPER ALLOY
- TERMINAL 3 : BRASS
- TERMINAL 4 : COPPER ALLOY
- SHIELD : BRASS
- HOUSING : PBT

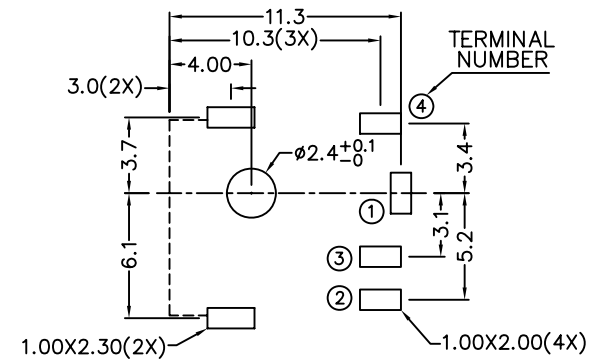
MODEL NO.	DC-074S
SCHEMATIC	
CENTER PIN	ø1.65mm
	ø2mm
	ø2.5mm



SECTION A-A



DC MATE PLUG



PCB LAYOUT
(BOTTOM VIEW)

達立科技股份有限公司

Dawning Precision Co., Ltd.

TEL: 886-2-82271388 FAX: 886-2-82272198

DESIGN	Will	SCALE		
DRAWING	Will	UNIT	mm	
CHECK	Will	SIZE	A4: 210*297	
APPROVAL	Eric	VERSION	01	

TOLERANCE UNLESS OTHERWISE STATED(mm)
less than 10 — ±0.2
10~30 — ±0.3
30~100 — ±0.5
ANGIE — ±2°

PART NAME	DC POWER SOCKET
PART NO	DC-074S
DRAWING NO	
DATE	2009/08/05

www.dawning2.com.tw