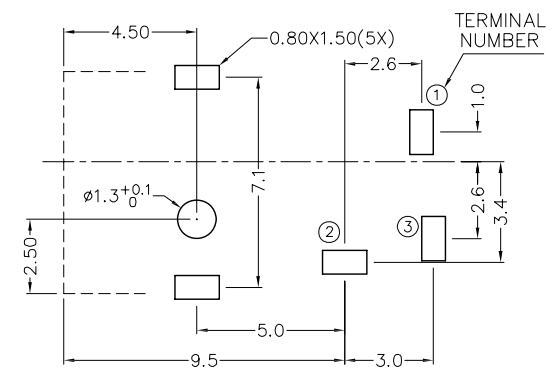
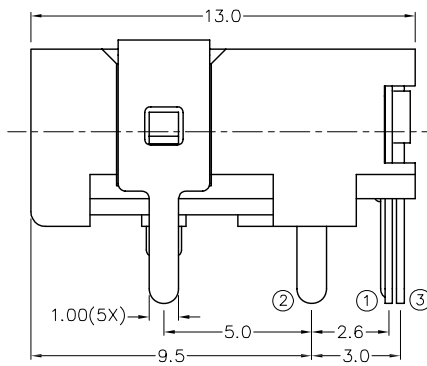
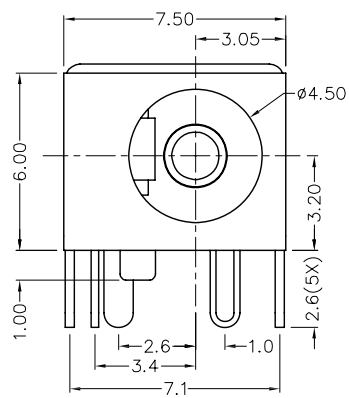
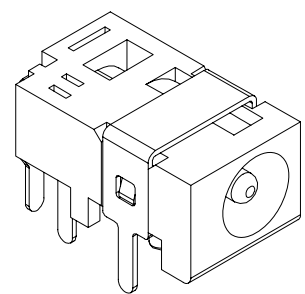


RoHS
Compatible

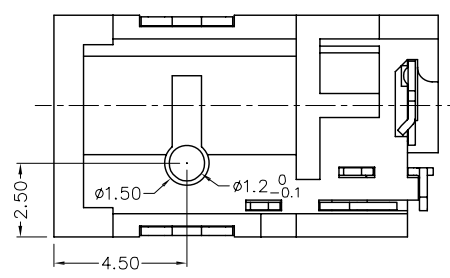
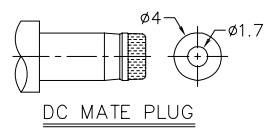
| | | | | |
|------|-----|-------------|------|-------|
| ▲ | | | | |
| ▲ | | | | |
| ▲ | | | | |
| ▲ | | | | |
| ZONE | REV | DESCRIPTION | DATE | APPD. |



PCB LAYOUT
(BOTTOM VIEW)

* MATERIAL

- TERMINAL 1 : BRASS
- TERMINAL 2 : COPPER ALLOY
- TERMINAL 3 : BRASS
- SHIELD : BRASS
- HOUSING : PBT



| | |
|------------|---------|
| MODEL NO. | DC-035S |
| SCHEMATIC | |
| CENTER PIN | φ1.65mm |

達立科技股份有限公司
Dawning Precision Co., Ltd.
TEL: 886-2-82271388 FAX: 886-2-82272198

| | | | | | |
|----------|------|---------|-------------|--|---------------------------------------|
| DESIGN | Will | SCALE | | | TOLERANCE UNLESS OTHERWISE STATED(mm) |
| DRAWING | Will | UNIT | mm | | less than 10 — ±0.2 |
| CHECK | Will | SIZE | A4: 210*297 | | 10~30 — ±0.3 |
| APPROVAL | Eric | VERSION | 01 | | 30~100 — ±0.5 |
| | | | | | ANGIE — ±2° |

| | |
|------------|-----------------|
| PART NAME | DC POWER SOCKET |
| PART NO | DC-035S |
| DRAWING NO | |
| DATE | 2009/06/09 |